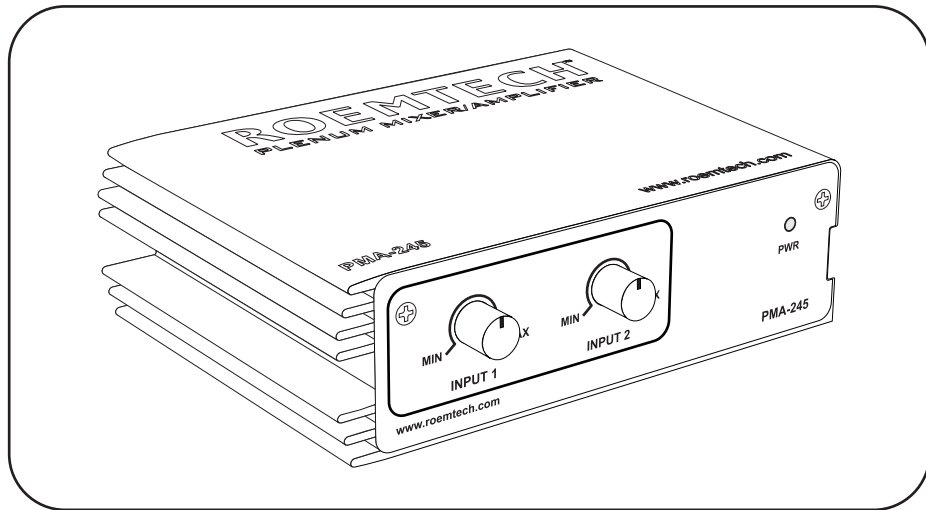


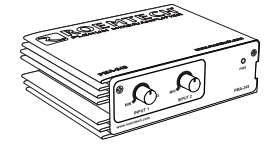
ROEMTECH® Instruction Manual PMA-245



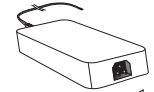
www.roemtech.com

List of Contents

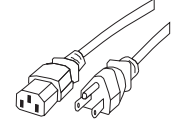
1. Plenum Rated Stereo Mixer/Amplifier - 45 watts



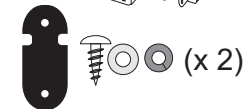
2. Regulated 60 watt Power Supply (Not Plenum Rated)



3. Universal 5' Power Cord (Not Plenum Rated)



4. Mounting Hardware



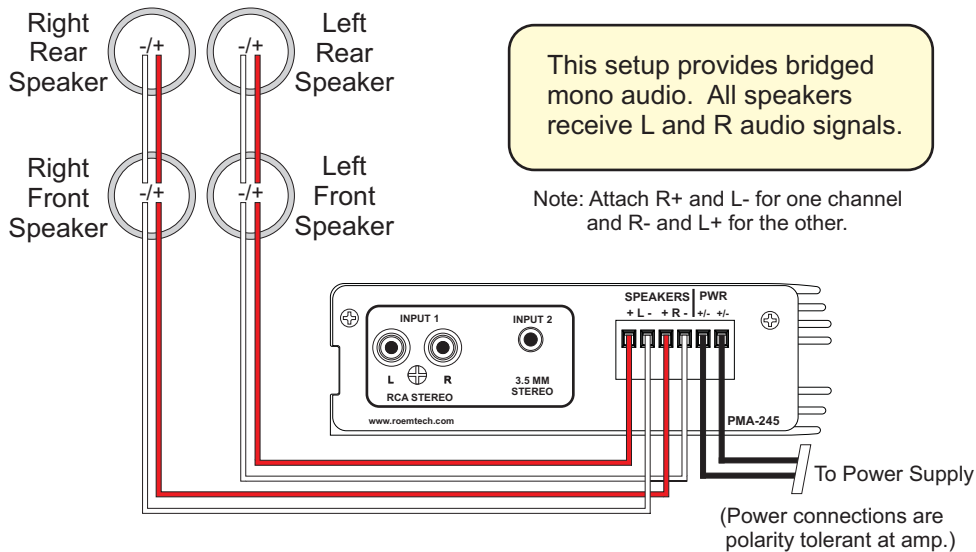
5. Pair of Wire Nuts



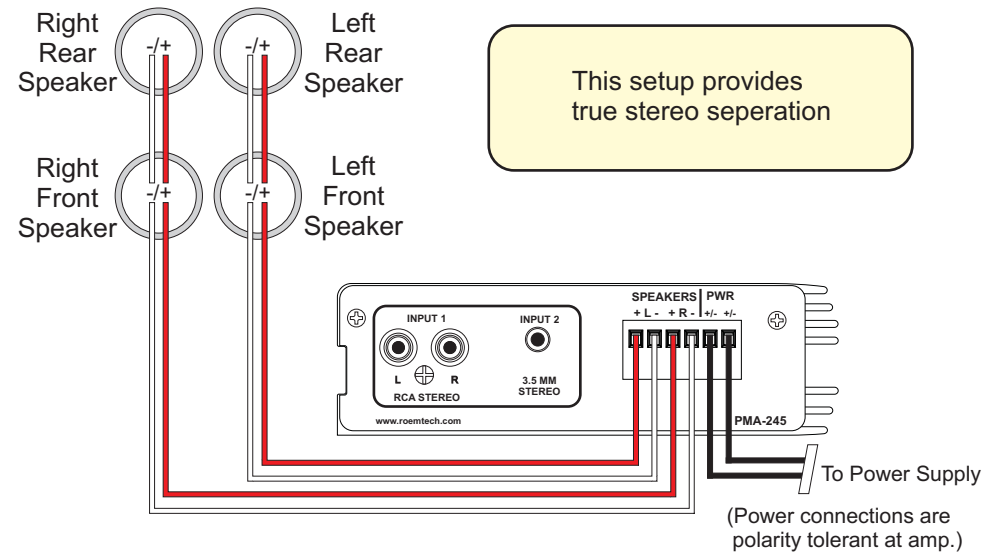
6. Detachable Terminal Block



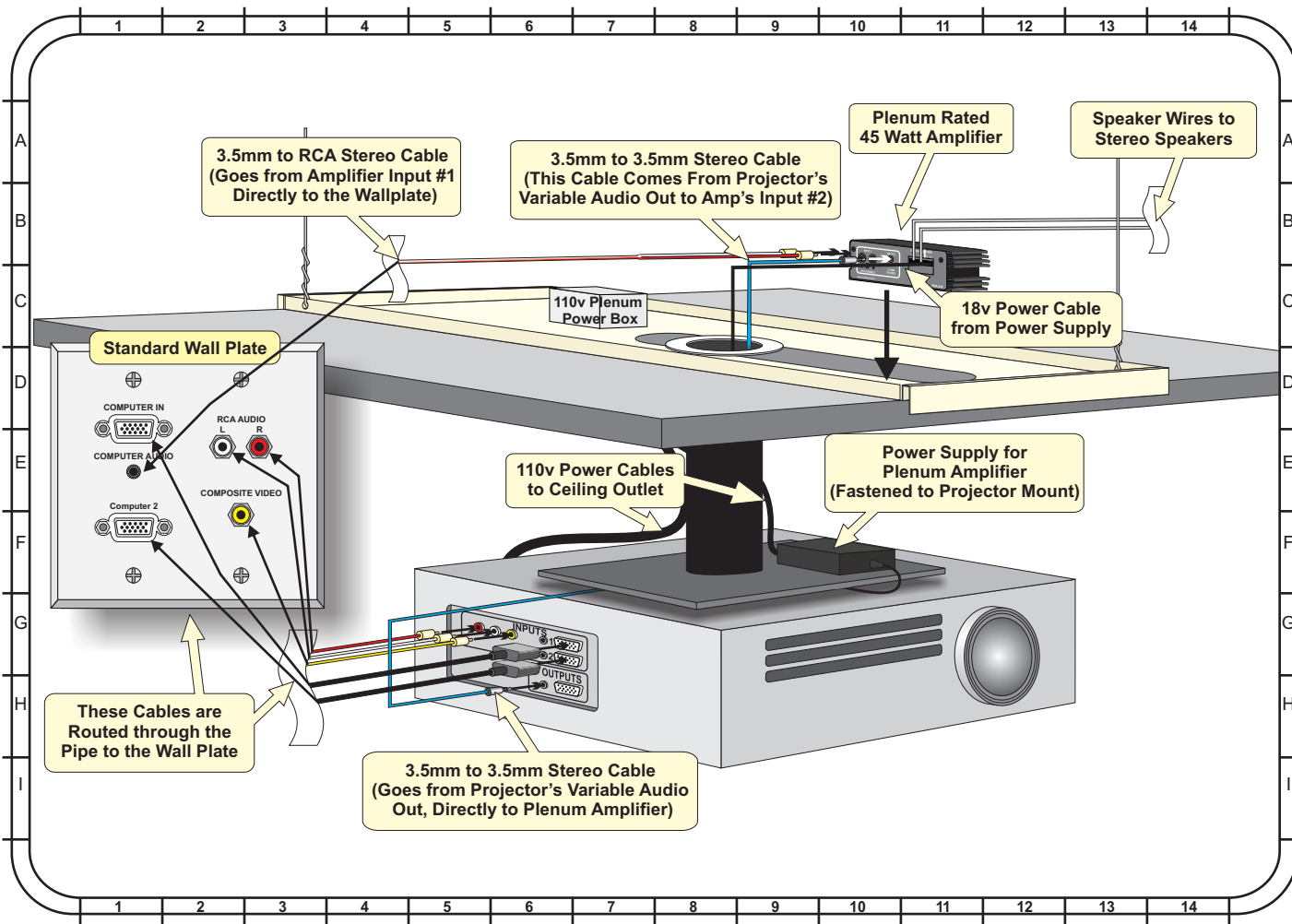
Typical Bridged Mono Wiring Diagram



Typical Stereo Wiring Diagram



Standard Classroom Projector Installation



For technical support please call - 972-221-3030

or visit

www.roemtech.com

Frequently Asked Questions:

Q: Is the power supply plenum rated?

A: No, only the amplifier is plenum rated, to maintain plenum approval, the power supply should be mounted below the plenum area as shown in the picture.

Q: What are the wire nuts for?

A: In strict plenum installations, the wire nuts can be used to make a splice from the power supplies 18V (non plenum rated) wire to plenum rated speaker wire (18AWG or thicker). The splice typically resides in the pipe.

Q: What ohm level can the amplifier tolerate?

A: The amplifier is designed to easily support 4 ohm loads. This means that you can attach as many as four, 16 ohm speakers per channel for a total of eight speakers per amp, or two 8 ohm speakers per channel for a total of 4 speakers.

Q: Why are there +/- marks over both power connections?

A: The +/- marks are to indicate that the amplifier is polarity tolerant. In other words, it is impossible for the power supply to be hooked up backwards. In addition, since the power supply is regulated it will shut down if it is overloaded or shorted out. Once the overload is removed, the power supply will resume its normal operation.

Q: Will the amplifier overheat if it is put in the plenum area in hot climates?

A: No, the amplifier is specifically designed for high-temperature applications. The massive heat-sink dissipates heat very well, even in the most extreme conditions. However, you should use care not to cover the amplifier with insulation.